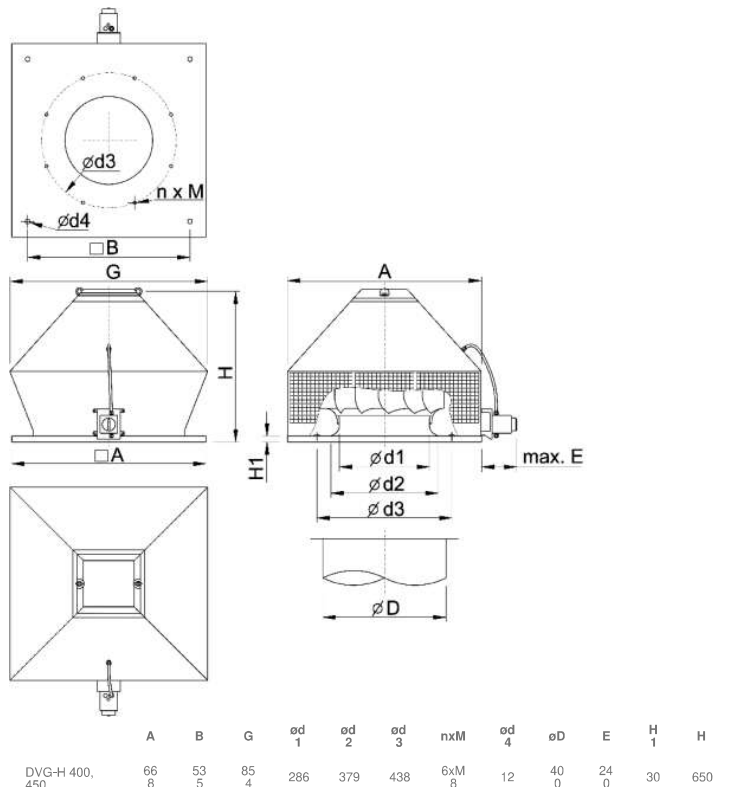

Versatile and durable smoke and heat extraction + normal ventilation

- Normal ventilation up to 120°C continuous operation
- Temperatures up to 400°C / 120 min
- Motor outside air stream
- Service switch serial

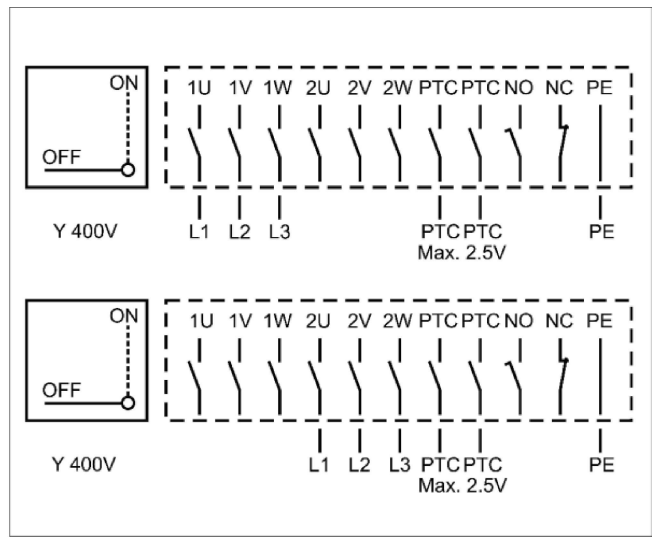
[Find more details in our online catalogue](#)

Technical parameters

Nominal data	
Voltage (nominal)	400 V
Frequency	50 Hz
Phases	3~
Motor circuit connection	Y
Input power	927 W
Input power kW	0.927 kW
Nominal power at shaft (P2)	0.75 kW
Starting current	9.1 A
Input current	2.4 A
Impeller speed	1,420 rpm
Air flow	max 1.603 m³/s
Max. Temperature of transported air for 120 min	400 °C
Temperature of transported air	max 120 °C
Sound data	
Sound pressure level at 10m (free field)	60 dB(A)
Sound pressure level at 4m (free field)	67 dB(A)
Protection/Classification	
Enclosure class, motor	IP55
Insulation class	F
Data according to ErP	
ErP ready	Not ErP relevant
Dimensions and weights	
Duct dimension; Circular, inlet	400 mm
Duct dimension; Circular, inlet	400 mm
Weight	55 kg
Others	
Duct connection type	Circular
Motor type	AC

Dimension


Wiring



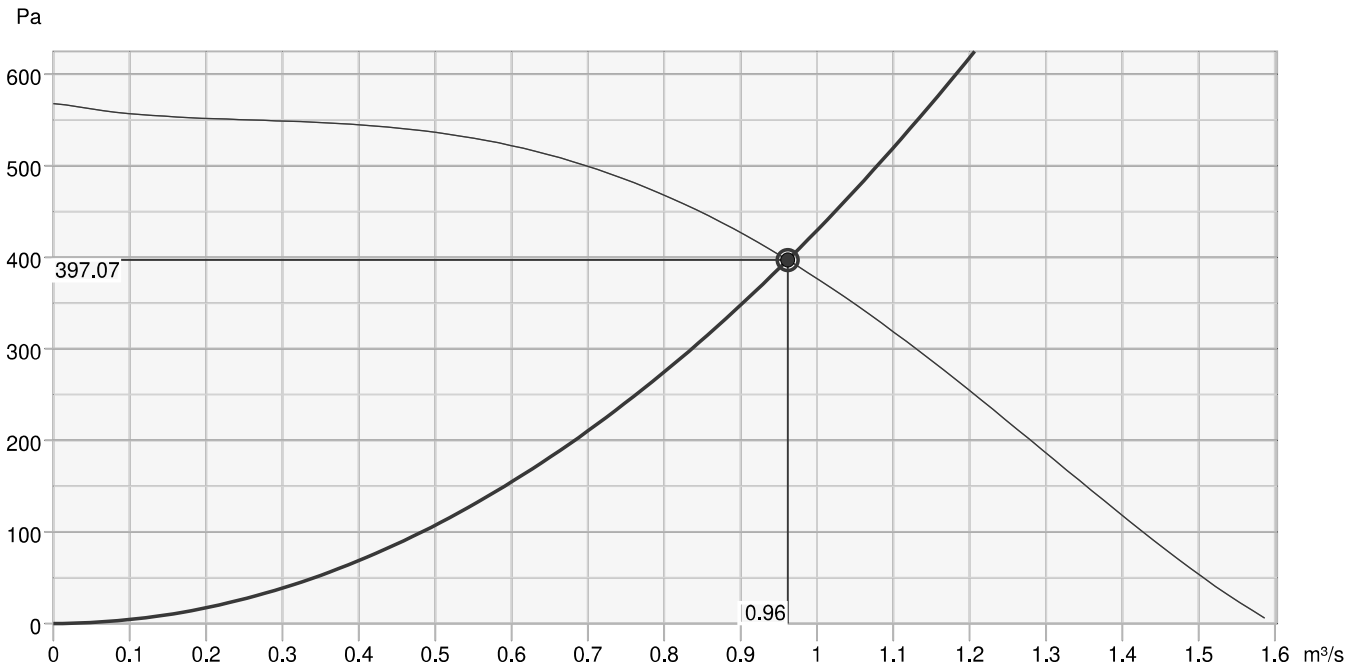
Lock the service switch in position ON to prevent unintended switch OFF!

Lock is not in scope of fan.

Upper connection: low speed

Lower connection: high speed

Performance curve



Hydraulic data	
Required air flow	0.96 m³/s
Required static pressure	397 Pa
Working air flow	0.96 m³/s
Working static pressure	397 Pa
Air density	1.204 kg/m³
Power	922.6 W
Fan control - RPM	1,409 rpm
Current	1.73 A
SFP	0.959 kW/m³/s
Control voltage	400.0 V
Supply voltage	400 V

Accessories

ASG-F 400-450 inflow box (309949)

FDG-F 400-450 flat roof socket (309941)

Step switch S-DT2GKT, Y/Y (2699)

VKG-F 315-450 shutter (309952)

ESDG 315-450 inlet cone VKG/F (95539)

TRF-DVV 560 to DVG 400-450 (95589)

ASSG-F 315-450 Flex. conn. (309955)

SSG-F 400-450 socket silencer (309945)

U-EK230E Motor protection (30199)

ASFV G315-450 flange (3700)

SSGE-F 400-450 socket silencer (95113)

FDGE-F 400-450 roof socket (95117)

Documents

DVG_E8303_26_03_2018.pdf

DVG_H_400_450_M1_10_04.dxf

Certificate-DVV-DVG-BKF-MRH-CPR-597958

Kitemark-DVV-DVG-BKF-MRH-646474